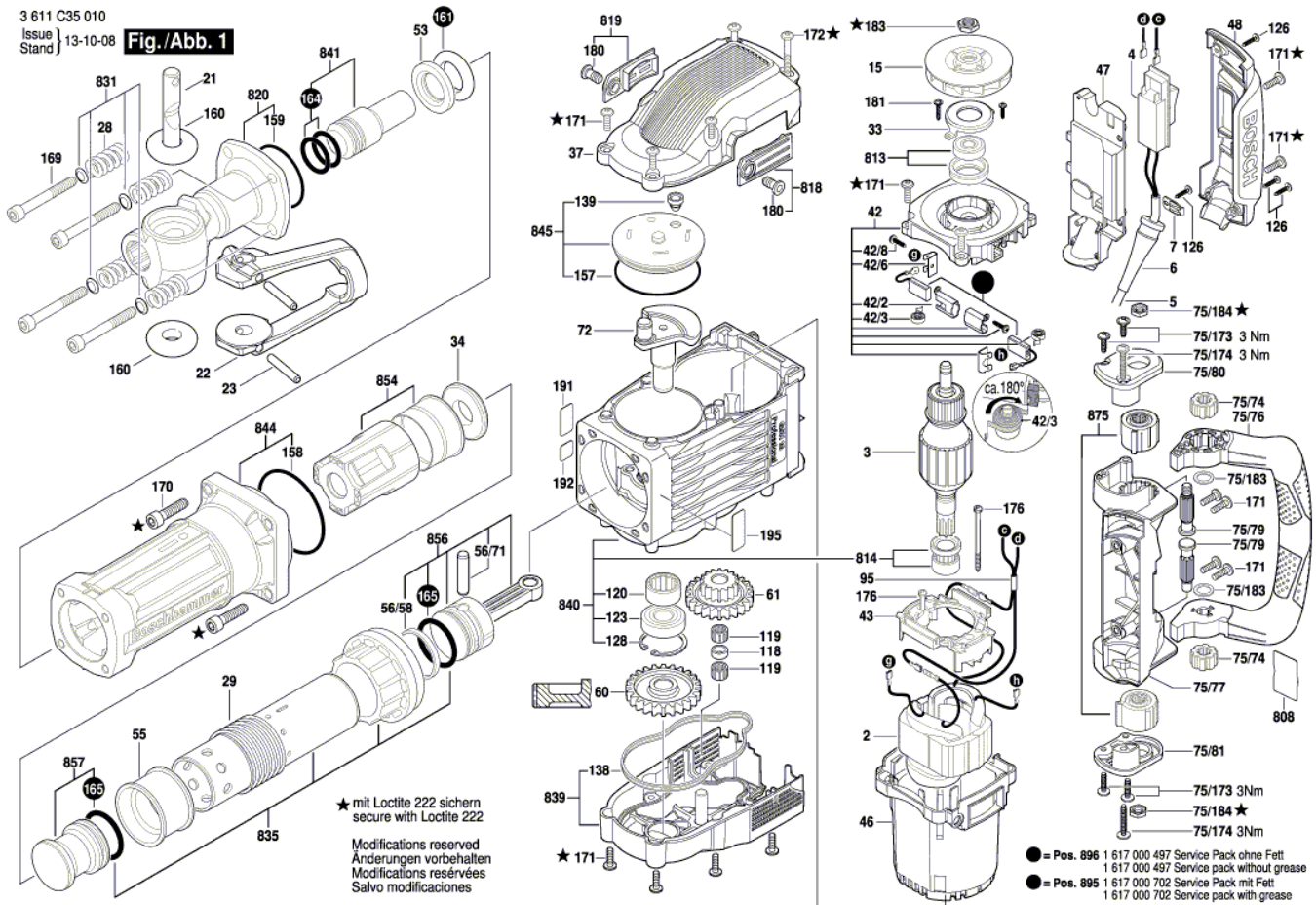
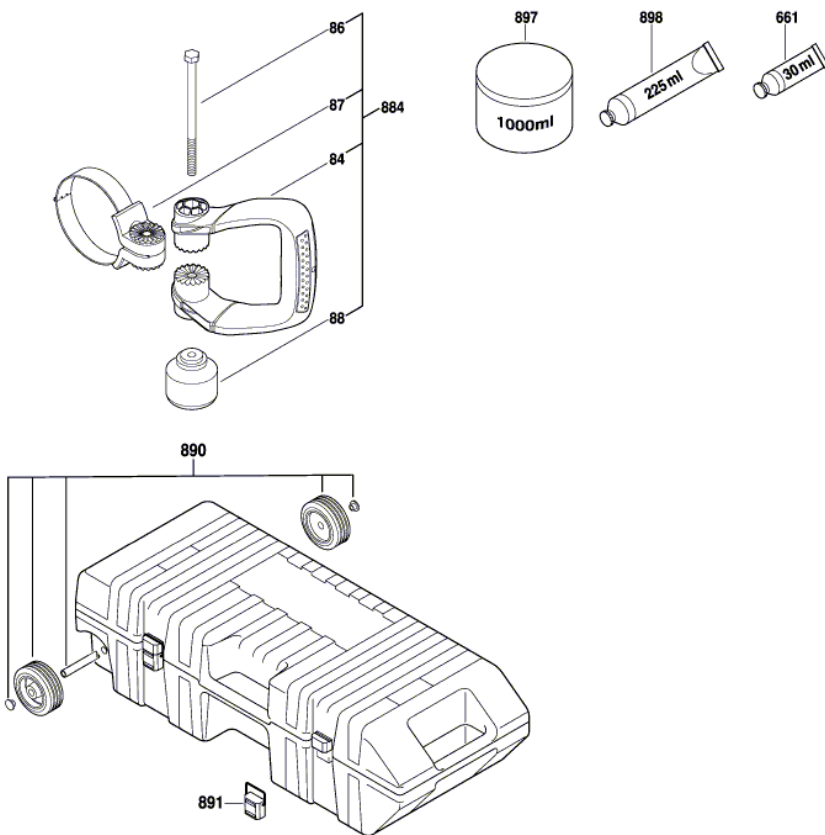


3 611 C35 010
Issue
Stand | 13-10-08**Fig./Abb. 1**



3 611 C35 010
Issue | 13-10-07
Stand |

Fig./Abb. 2



Modifications reserved
Änderungen vorbehalten
Modificaciones reservadas
Salvo modificaciones



Pos.	Part Number	Description	Pos.	Part Number	Description
2	1 614 220 188	Field	161	1 610 290 118	
3	1 614 011 118	Armature	164	1 610 210 194	O-Ring
4	1 617 200 122	On-Off Switch	165	1 610 210 195	O-Ring
5	1 614 461 033	Power supply cord	169	1 613 414 022	Hex Socket Head Cap Screw
6	1 610 703 053	Grommet	170	1 613 414 023	Hex Socket Head Cap Screw
7	1 601 302 018	Fastening Clamp	171	1 613 490 010	Torx Oval-Head Screw
15	1 616 610 102	Fan	172	1 613 490 011	Torx Oval-Head Screw
21	1 613 103 004	Locking Bolt	176	1 603 435 036	Tapping Screw
22	1 618 045 026	Retaining Bracket	180	1 613 490 007	Clamp Screw
23	2 917 760 187	Clamping Sleeve	181	2 912 401 420	Tapping Screw
28	1 614 614 006	Compression Spring	183	1 613 349 020	Hex Nut
29	1 614 614 007	Compression Spring	191	1 611 110 D15	Warning Plate
33	1 611 006 008	Holding Plate	192	1 601 110 618	Reference Plate
34	1 610 102 635	Supporting Disc	195	1 611 110 D43	Sticker
37	1 615 500 380	Fan Cover	661	1 615 430 010	Grease Tube
42	1 614 336 078	Brush Holder	808	1 601 106 032	
42/2	1 614 336 017	Brush Guide	813	1 617 000 480	Bearing
42/3	1 614 652 007	Spring	814	1 617 000 481	Bearing
42/6	1 611 390 005	Connector	818	1 617 000 482	Brush-Cover
42/8	2 912 401 412	Tapping Screw	819	1 617 000 483	Brush-Cover
43	1 610 508 054	Spacer	820	1 617 000 499	Toolholder
46	1 615 106 053	Motor Housing	831	1 617 000 A4Z	
47	1 618 000 029	Base Plate	835	1 617 000 709	Guide Tube
48	1 615 500 383	Housing Cover	839	1 617 000 489	Gear Cover
53	1 610 190 058	Stop Disc	840	1 617 000 490	Gear Housing
55	1 610 506 019	Control Bushing	841	1 617 000 491	Striker Pin
56/58	1 610 500 023	Retaining snap ring	844	1 617 000 492	Hammer Pipe
56/71	1 613 101 012	Piston Pin	845	1 617 000 710	Sealing cap
60	1 616 317 086	Cylindrical Gear	854	1 617 000 740	
61	1 616 317 093		856	1 617 000 711	Hammer Piston
72	1 616 110 037	Eccentric Shaft	857	1 617 000 495	Striker
75/74	1 613 060 049	Splined coupling	875	1 617 000 496	Rubber Torsion-Bar
75/76	1 618 045 022	Strap-Shaped Handle	884	1 617 000 A55	
75/77	1 615 805 069	Bearing Pedestal	890	1 617 000 716	Wheel Set
75/79	1 613 060 050	Toothed Shaft	891	1 617 000 715	Lock
75/80	1 615 500 376	Bearing cover	895	1 617 000 702	Service box
75/81	1 615 500 377	Bearing cover	896	1 617 000 497	Service box
75/173	1 613 490 008	Torx Oval-Head Screw	897	1 615 430 016	Box
75/174	1 613 490 009	Torx Oval-Head Screw	898	1 615 430 015	Grease Tube
75/183	2 916 280 013	Supporting Disc			
75/184	1 613 349 021	Hex Nut			
84	1 612 025 070	Carrying Handle			
86	2 911 011 270	Hex Screw			
87	1 611 316 034				
88	1 613 349 017	Star Knob			
95	1 614 448 038	Connecting Cable			
118	1 610 520 003	Spacer Tube			
119	1 610 913 020	Needle-Roller Assembly			
120	1 610 910 092	Needle-Roller Bearing			
123	1 610 900 030	Deep-Groove Ball Bearing			
126	2 603 490 023	Lens Head Screw			
128	2 916 660 021	Spring retaining ring			
138	1 611 015 059	Sealing Frame			
139	1 610 508 050	Plug			
157	1 610 210 192	O-Ring			
158	1 610 210 191	O-Ring			
159	1 600 210 005	O-Ring			
160	1 610 210 008	O-Ring			